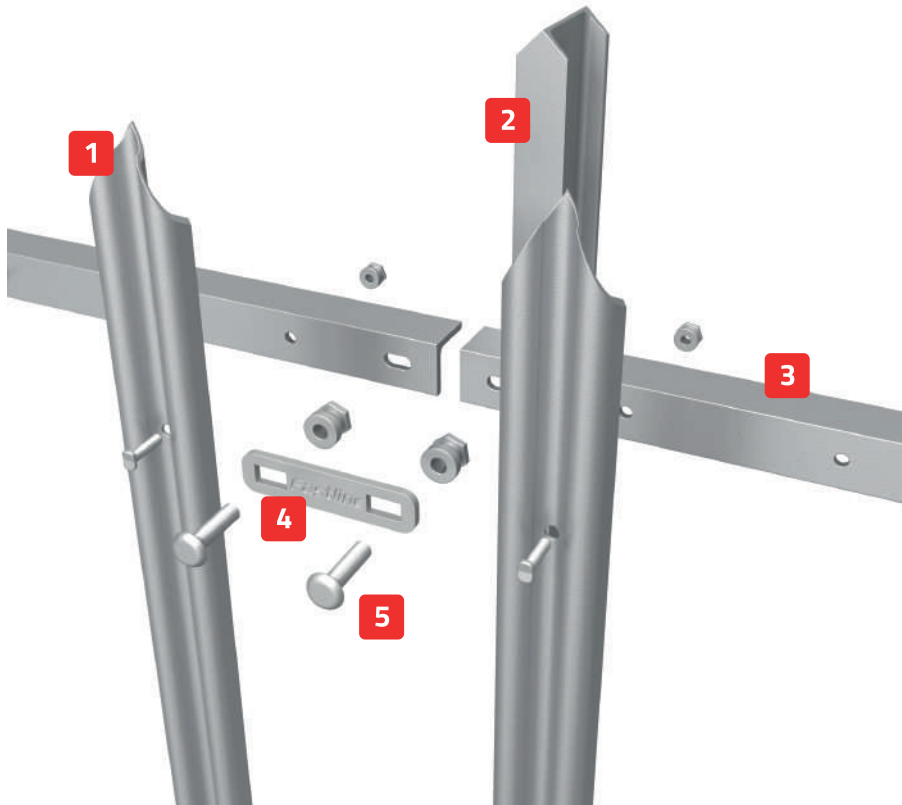


Network Rail Palisade

NR/OTK/SD/BM/109/SPEC (W section)



- 1 Corrugated 'W' section steel pales
- 2 102x44 RSJ post
- 3 45x45x6mm RSA rails
- 4 Slotted steel fish plate
- 5 M8/M12 security, anti tamper fixings

Benefits of using Fastline for Network Rail - W Section

- ✓ UK manufactured to exceptionally high standard
- ✓ Full range of associated gate sets available
- ✓ Full range of security topping options
- ✓ Robust system
- ✓ Full drawings provided upon approval
- ✓ High risk areas
- ✓ Commercial/industrial sites
- ✓ Compliant to updated Network Rail specification document NR/OTK/SD/BM/109/SPEC
- ✓ Available to suit all required heights
- ✓ Available with dig in or base plated posts
- ✓ Good through visibility
- ✓ Data centres
- ✓ Railways
- ✓ Government installations

SECURITY LEVEL: Med to High

Fastline® are one of the few UK manufacturers of steel palisade fencing systems. This allows us to provide standard, BS compliant systems as well as enabling us to adapt bespoke systems to suit all requirements.



Network Rail Palisade

NR/OTK/SD/BM/109/SPEC (W section)



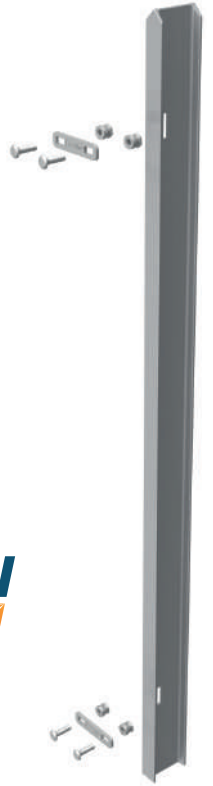
1800mmH Steel palisade (details for 2400mmH shown in red)

Pales Corrugated 'W' section; 17 pales, 2.5mm, holed, oversail top 225(300)mm, oversail bottom 150(210)mm. Tops of pales; single pointed (rounded when specified).

Rails Horizontal support rails 45x45x6mm RSA with 10mm holes on front face.

Posts (steel) 102x44x2525mmL (3175mmL for 2400mmH systems) RSJ, pointed top, 2750mm post centres.

Fixings M8x25mm mild steel bolts (with malleable head) and shear nuts.
M12x30mm cup square bolts & M12 shear nuts.



Posts, Rails and Pales

Other, none NR options are available for triple pointed, single pointed, round and notched heads, with pale thickness from 2mm to 4mm dependant upon the desired use (pointed tops not being recommended for systems below 1800mmH. Please speak to our Estimators who will be happy to advise.

The system allows for "raking" to follow the topography of the site without any compromise in security or system rigidity and with no time consuming/ costly modification requirements on site. Rails are quickly and easily fixed to posts and can follow most demanding site gradients.

Aesthetically pleasing, easy to install and security to meet almost all requirements.

System Finish:

Our steel palisade systems are hot dip galvanised to BS EN ISO 1461 or BS EN 10240 and additionally, if required, powder coated green (RAL6005) or black (RAL9005) in accordance with BS1722-16: 2009.

We can PPC to the colour of your choice.

All items undergo rigorous multi-stage inspections to ensure conformity to the above standards and contribute to our 10 year product guarantee.



This product can be provided to conform to the above standard please state this at the point of enquiry and our team will be more than happy to advise to ensure full compliance to any specification.

See separate **Terms & Conditions** for F10™ Guarantee compliance.

For full details on this or other products, please visit our website www.fastlinesteel.co.uk

