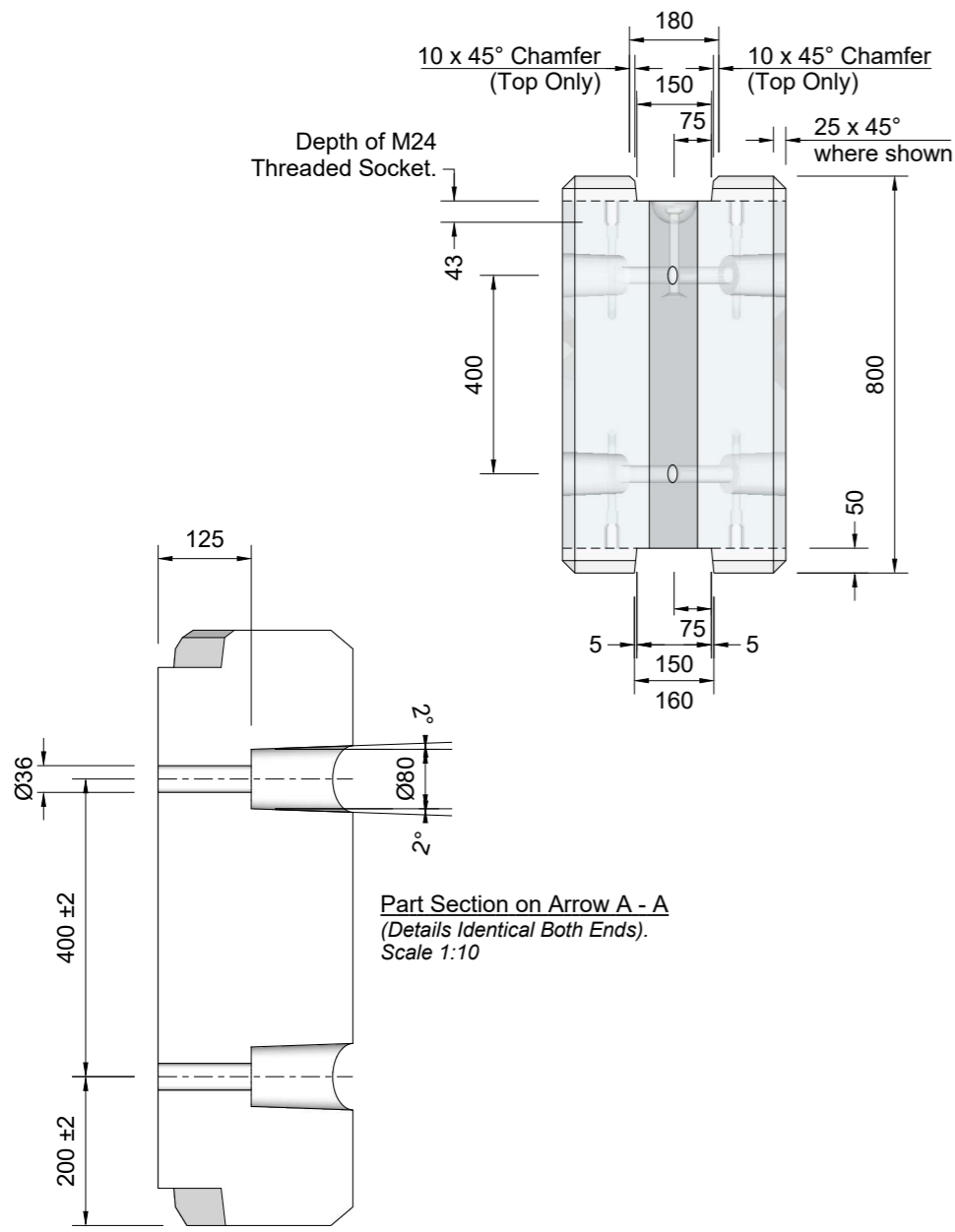
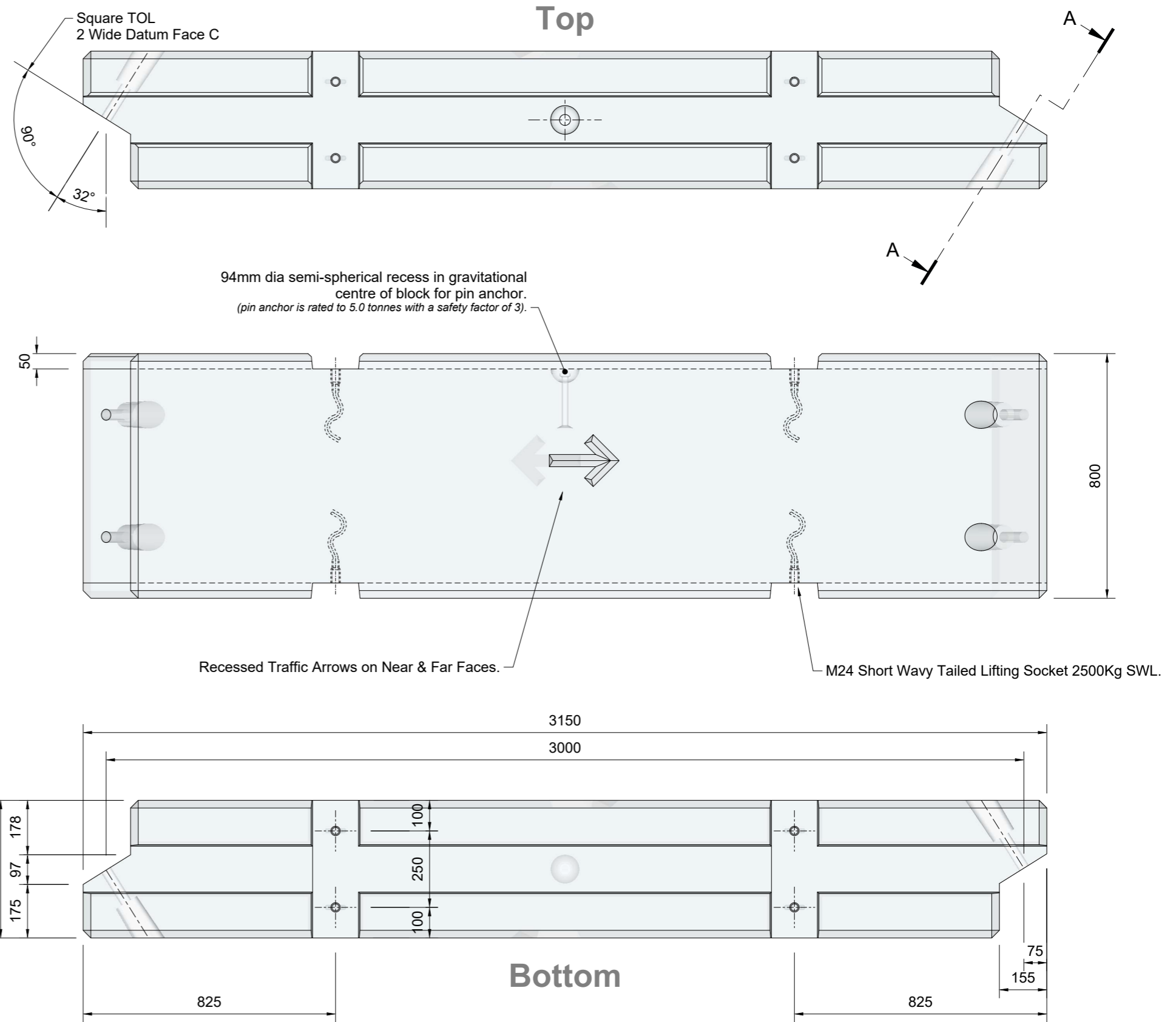


All Precast Temporary Concrete Vertical Barriers (TVCB) are manufactured using high strength (50N/mm²) concrete

Notes

- Dimensions in millimetres.
- Tolerance to be ±0.5% unless otherwise stated.
- Concrete mix C50.
- The overlap of the scarf joint must always be in the direction of traffic.

Weight of Barrier : 2,500kg Approx.



										TITLE Temporary Vertical Concrete Barrier (TVCB) Standard Unit FSS Product Code : V28			FASTLINE STEEL SERVICES THE PLAZA, 100 OLD HALL STREET LIVERPOOL L3 9QJ												
REV	DATE	REASON FOR ISSUE	DRN	APP	REV	DATE	REASON FOR ISSUE	DRN	APP	CTC	RMD	DRN	CTC	CHKD	RMD	DATE	14-09-20	SIZE	A3	SCALE	1:15	DRG	FSS-TVCB-001	REV	0